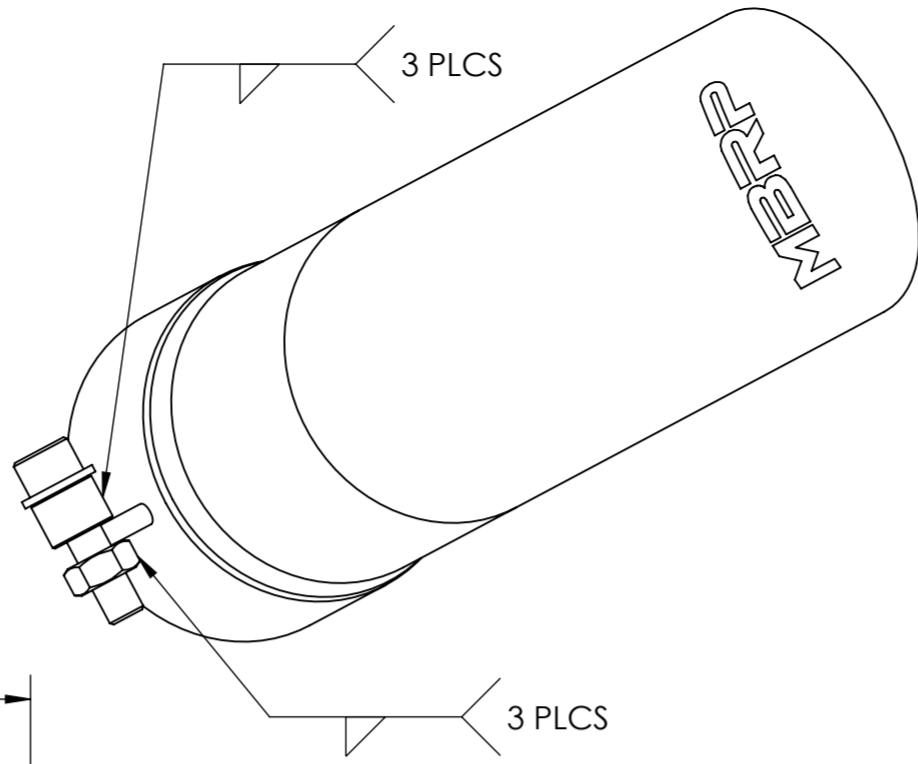
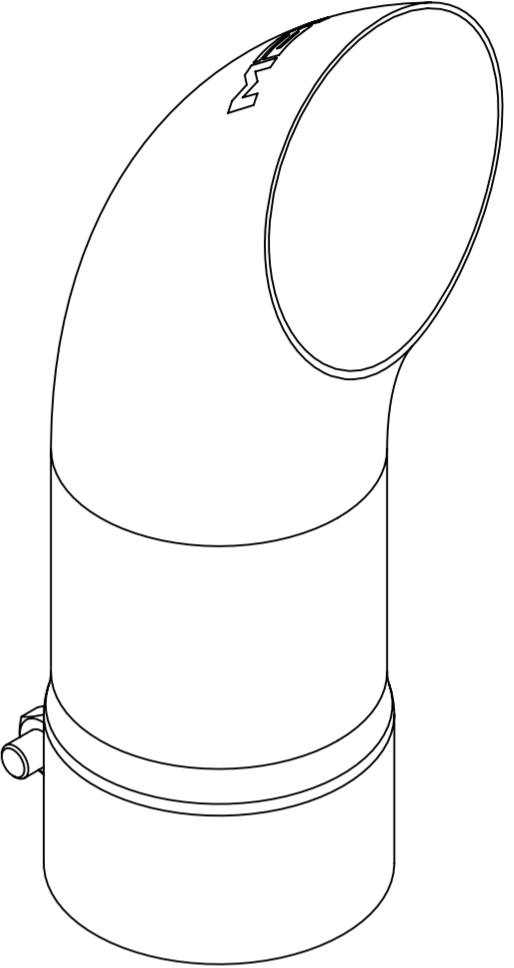
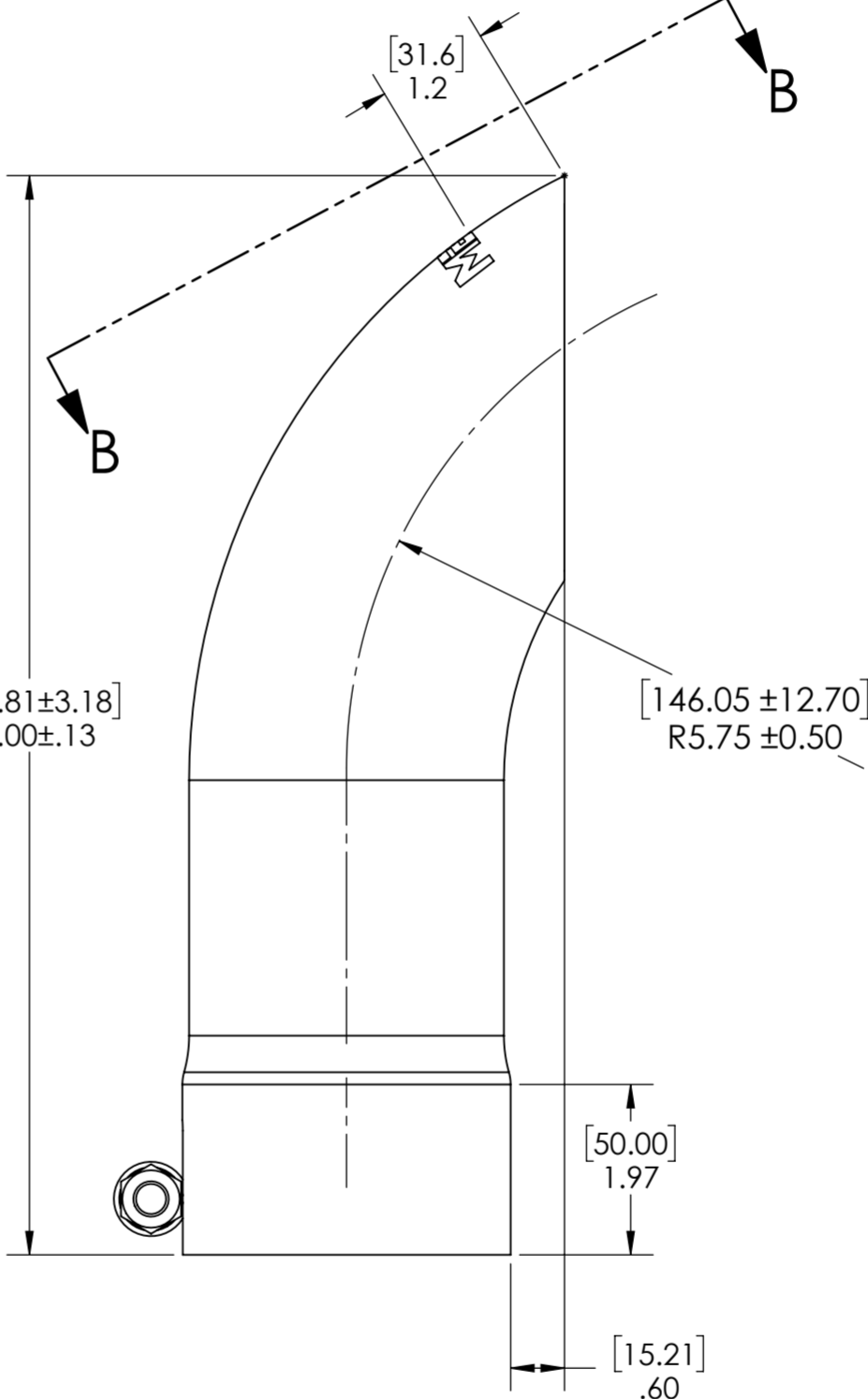
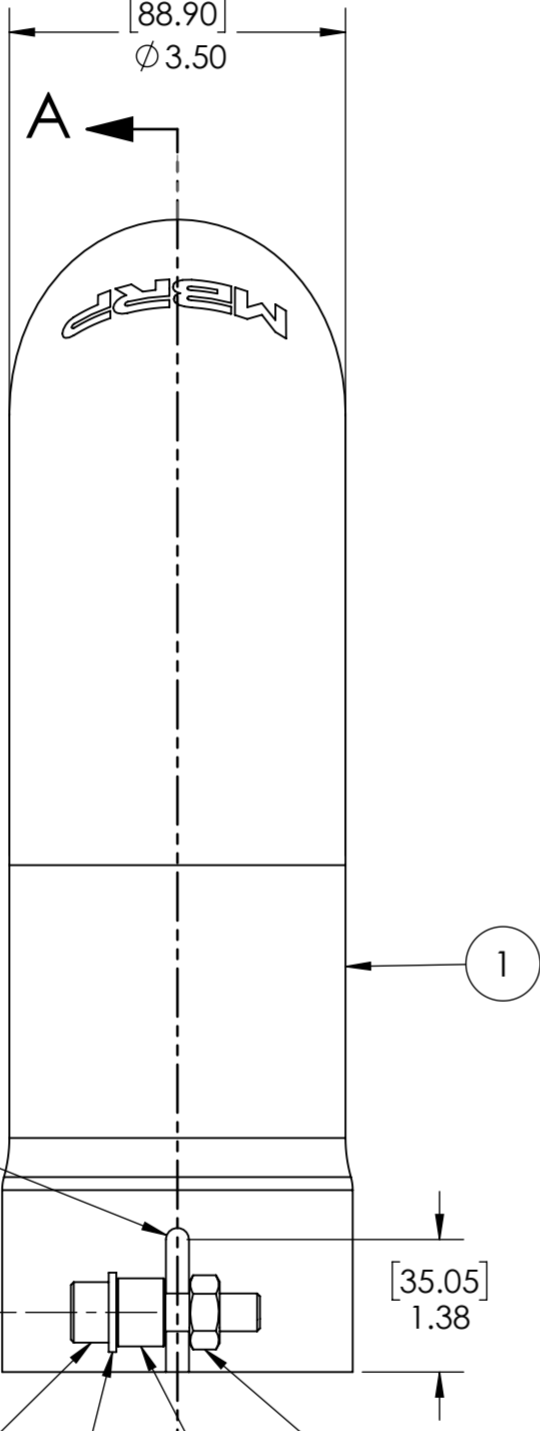


PART NO.
T5080

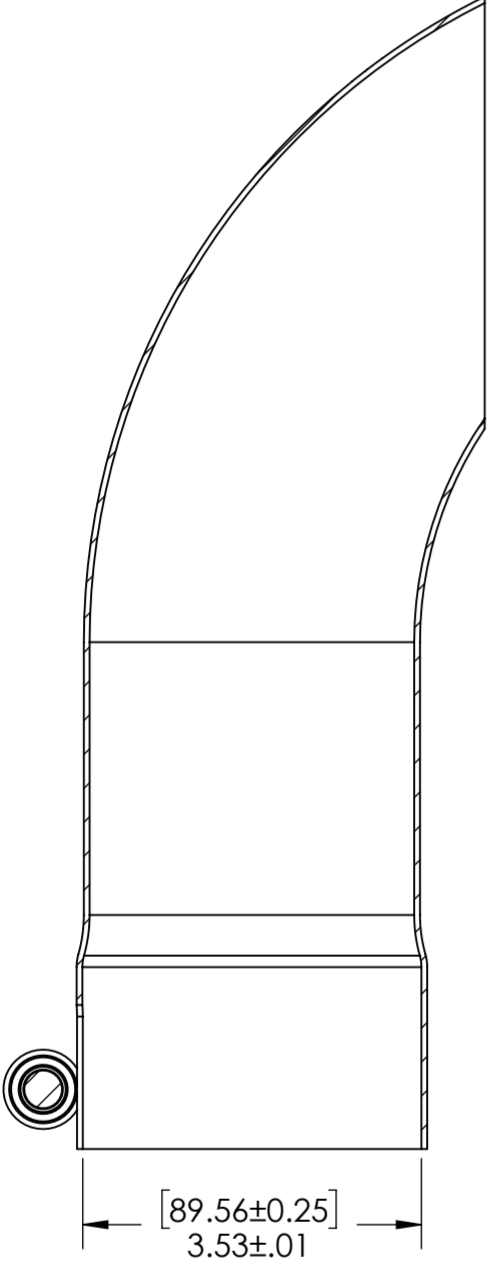
ISSUE	AREA	MODIFICATION	DATE	SIG.
A		ORIGINAL ISSUE	06-Mar-20	



SECTION B-B



ISOMETRIC VIEW FOR REFERENCE ONLY



SECTION A-A

- NOTES:
- ITEM TO BE FREE OF SHARP EDGES AND BURRS
 - APPROXIMATE LOGO HEIGHT IS 0.5"

MBRP

DRAWN REID VOGEL	DATE 06-Mar-20	CHECKED	
MODIFICATIONS BY SOLIDWORKS ONLY		SCALE 1:2	
FINISH POLISHED			
MATERIAL 16GA T304 STAINLESS STEEL			SIZE A2
DESCRIPTION Tip, 3.5" O.D. 3.5" Inlet, Turn Down			REV. A

ITEM NO.	DESCRIPTION	T5080/QTY.
1	TIP, 3.5" O.D. TURN DOWN 3.5" INLET 12" LENGTH	1
2	COLLAR 18mmOD x12mmID x13mm	1
3	M10x1.5 HEX NUT	1
4	SOCKET HEAD CAP SCREW M10-1.50 x 40mm	1
5	WASHER	1

ALL DIMENSIONS IN INCHES UNLESS SPECIFIED OTHERWISE
DO NOT SCALE

ALL DIMENSIONS APPLY TO THE FINISHED COMPONENT INCLUDING METAL SURFACE TREATMENT.

ALL RIGHTS RESERVED ALSO IN RESPECT TO GRANT OF PATENTS AND REGISTRATION OF DESIGNS. THE PRESENT DRAWING MAY BE NEITHER COPIED OR DISCLOSED TO A THIRD PERSON WITHOUT WRITTEN PERMISSION. NOR MISUSED IN ANY OTHER WAY BY THE RECEIVER OR A THIRD PERSON. CONTRAVENTION WILL ENTITLE TO INDEMNIFICATION AND MAY ENTAIL SANCTIONS.

GENERAL TOLERANCES:
NO DECIMAL: +/- .100
ONE DECIMAL: +/- 0.060
TWO DECIMAL: +/- 0.030

ANGLES: +/- 1.0°

COMPONENT IDENTIFICATION FEATURE

PROJECT NO.

