

# ENT91431

# RAM 1500 (W/ CLASS III FACTORY BUMPER HITCH)

4/20/2021

GROSS LOAD CAPACITY WHEN USED AS A WEIGHT CARRYING HITCH: 6,000 LBS. TRAILER WEIGHT & 600 LBS. TONGUE WEIGHT.



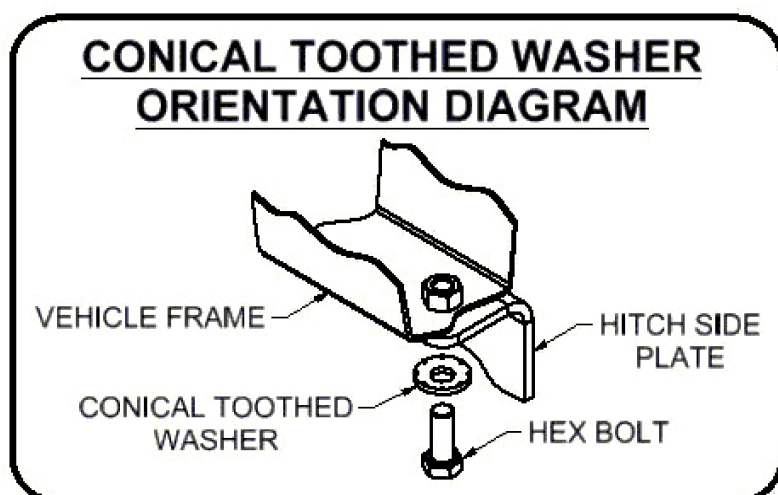
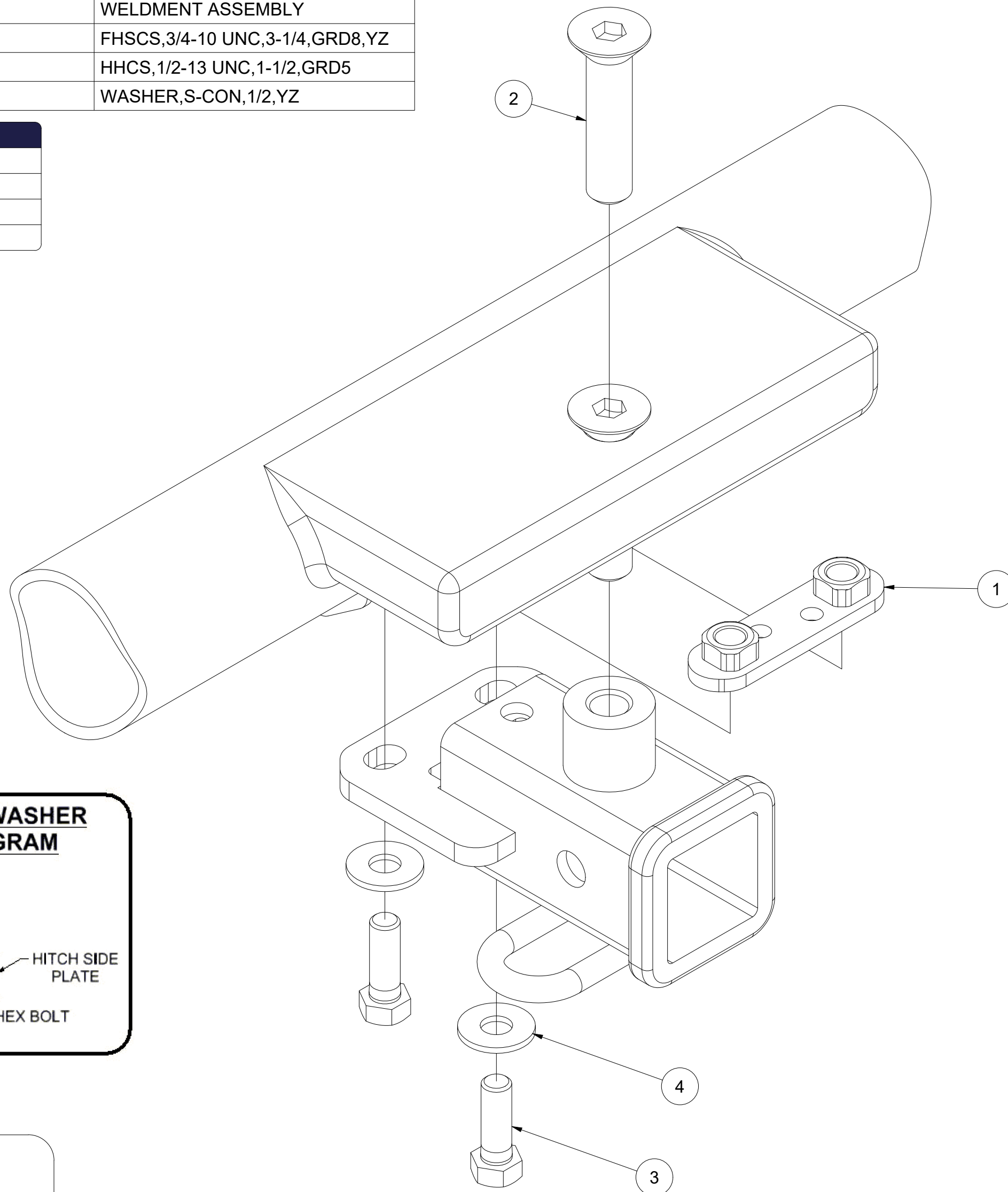
**WARNING: \*\*\* DO NOT EXCEED VEHICLE MANUFACTURER'S RECOMMENDED TOWING CAPACITY \*\*\***

FOR MORE INFORMATION LOG ONTO [WWW.CURTMFG.COM](http://WWW.CURTMFG.COM)  
HAVING INSTALLATION QUESTIONS? CALL TECHNICAL SUPPORT AT 1-877-287-8634



Parts List			
ITEM	QTY	PART NUMBER	DESCRIPTION
1	1	13419-NPWA	WELDMENT ASSEMBLY
2	1	10-10363	FHSCS,3/4-10 UNC,3-1/4,GRD8,YZ
3	2	10-10035	HHCS,1/2-13 UNC,1-1/2,GRD5
4	2	30-00149	WASHER,S-CON,1/2,YZ

TOOLS REQUIRED
3/4" SOCKET
1/2" HEXBIT SOCKET
RATCHET
TORQUE WRENCH



HITCH WEIGHT: 7 LBS.

INSTALL TIME

PROFESSIONAL: 15 MINUTES

NOVICE (DIY): 30 MINUTES

INSTALL NOTES:

NO DRILLING

## INSTALLATION STEPS

1. Remove plug from center of bumper step and insert 3/4" bolt. Save plug for reinstallation in Step 4.
2. Place 13419-NPWA on top of vehicle safety chain loop with weldnuts on top.
3. Raise hitch into position and loosely secure with 3/4" bolt followed by 1/2" bolt and conical tooth washer.
4. Torque 3/4" hardware to 320 lb-ft and 1/2" hardware to 75 lb-ft. Reinstall plug removed in Step 1.

**PERIODICALLY CHECK THIS RECEIVER HITCH TO ENSURE THAT ALL FASTENERS ARE TIGHT AND THAT ALL STRUCTURAL COMPONENTS ARE SOUND.**

ENTHUZE™ warrants this product to be free of defects in material and/or workmanship at the time of retail purchase by the original purchaser. If the product is found to be defective, ENTHUZE™ may repair or replace the product, at their option, when the product is returned, prepaid, with proof of purchase. Alteration to, misuse of, or improper installation of this product voids the warranty. ENTHUZE™ liability is limited to repair or replacement of products found to be defective, and specifically excludes liability for incidental or consequential loss of damage.