

INSTALLATION MANUAL

ENT61431

Level of Difficulty

Easy

Installation difficulty levels are based on time and effort involved and may vary depending on the installer level of expertise, condition of the vehicle and proper tools and equipment.

Weight Carrying Capacity

Gross trailer weight (GTW) 4,000 lbs.

Tongue weight (TW) 600 lbs.

Weight Distribution Capacity

Weight distribution (WD) 4,000 lbs.

WD tongue weight (WDTW) 600 lbs.

Parts List

Item	Qty	Description
1	4	Hex bolt, M12-1.25 x 35mm, CL10.9
2	4	Conical-toothed washer, 1/2"

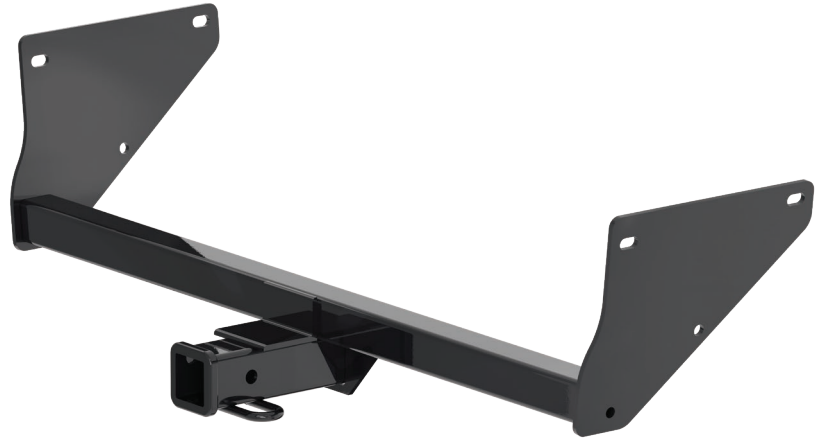
Tools Required

Ratchet	Torque wrench
Ratchet extension, 8"	Torque adapter, 19mm
Socket, 17mm	Socket 19mm

⚠ WARNING

Never exceed the vehicle manufacturer's recommended towing capacity.

Product Photo



NOTICE

Before you begin installation, read all instructions thoroughly.

Proper tools will improve the quality of installation and reduce the time required.

This installation requires removal of the tie down bracket, if applicable. You will be using existing weldnuts. No drilling is required.

Periodic inspection of the trailer hitch should be performed to ensure all mounting hardware remains tight and structural components are secure.

To help prevent damage to the product or vehicle, refer to the specified torque specifications when securing hardware during the installation process.

SAFETY INSTRUCTIONS

Safety glasses should be worn at all times while installing this product.

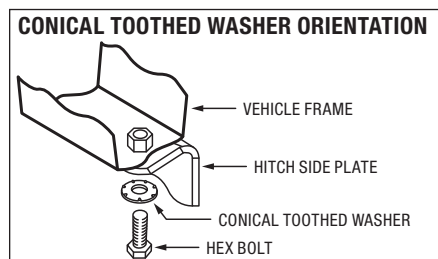
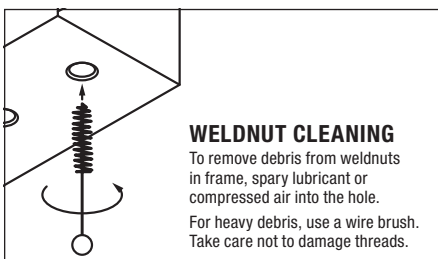
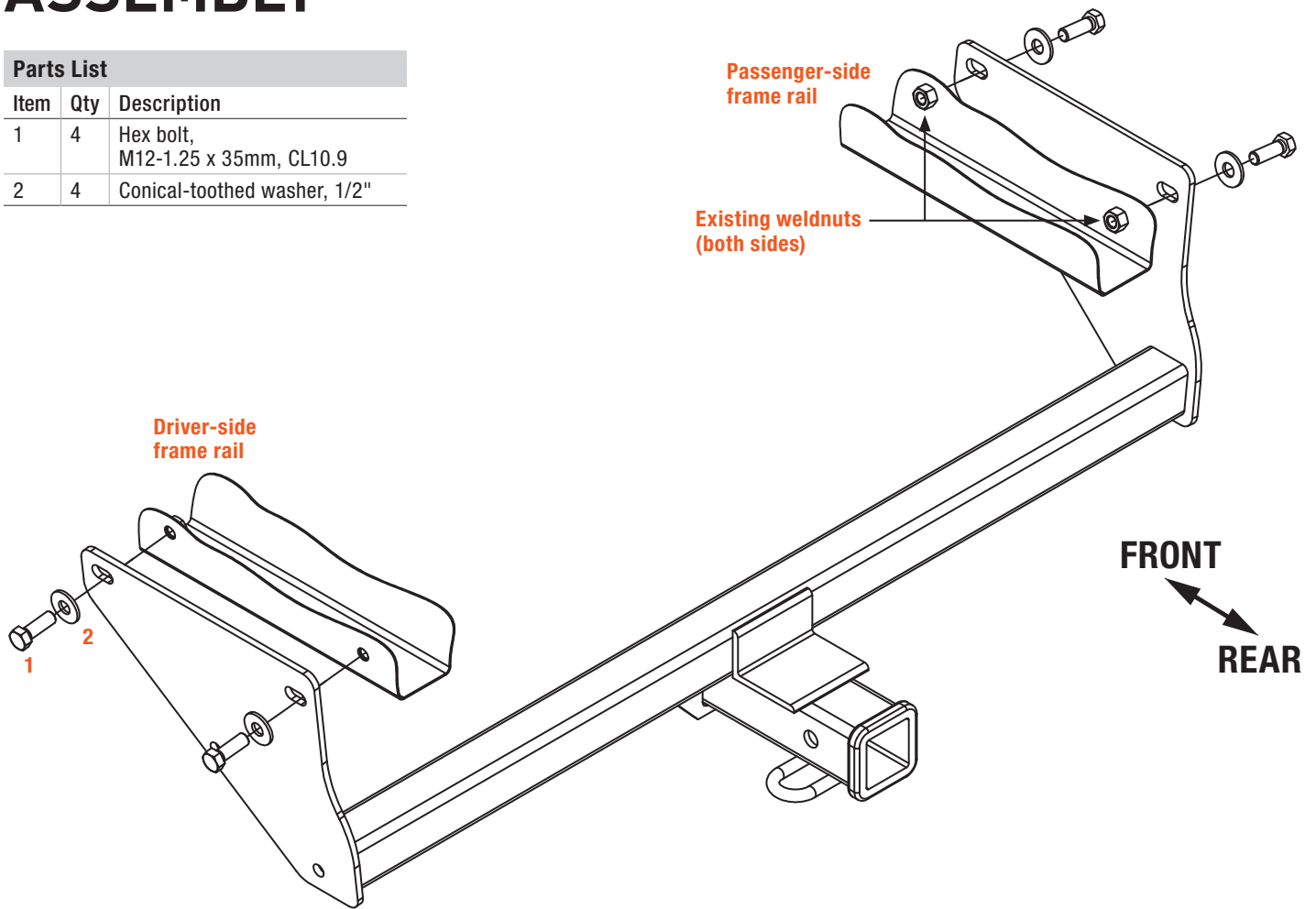
Warranty Information

Our products are backed by industry-leading warranties. For a copy of the product warranties or to provide feedback, please contact our support line using the phone number at the bottom of this document.

ASSEMBLY

Parts List

Item	Qty	Description
1	4	Hex bolt, M12-1.25 x 35mm, CL10.9
2	4	Conical-toothed washer, 1/2"



Step 1

Remove any stickers covering the holes on the outside of the frame rails.

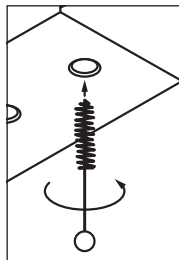
If equipped, remove the tie down bracket from the bottom of the passenger-side frame rail and return it to the vehicle owner.



Step 2

Raise the trailer hitch into position and loosely secure with the provided hardware (#1, #2).

Torque all M12 hardware to 86 ft-lbs.

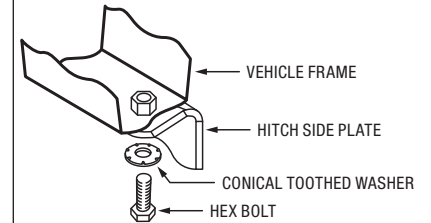


WELDNUT CLEANING

To remove debris from weldnuts in frame, spray lubricant or compressed air into the hole.

For heavy debris, use a wire brush. Take care not to damage threads.

CONICAL TOOTHED WASHER ORIENTATION



Final Installed Image

