

ENT35431

TOYOTA HIGHLANDER

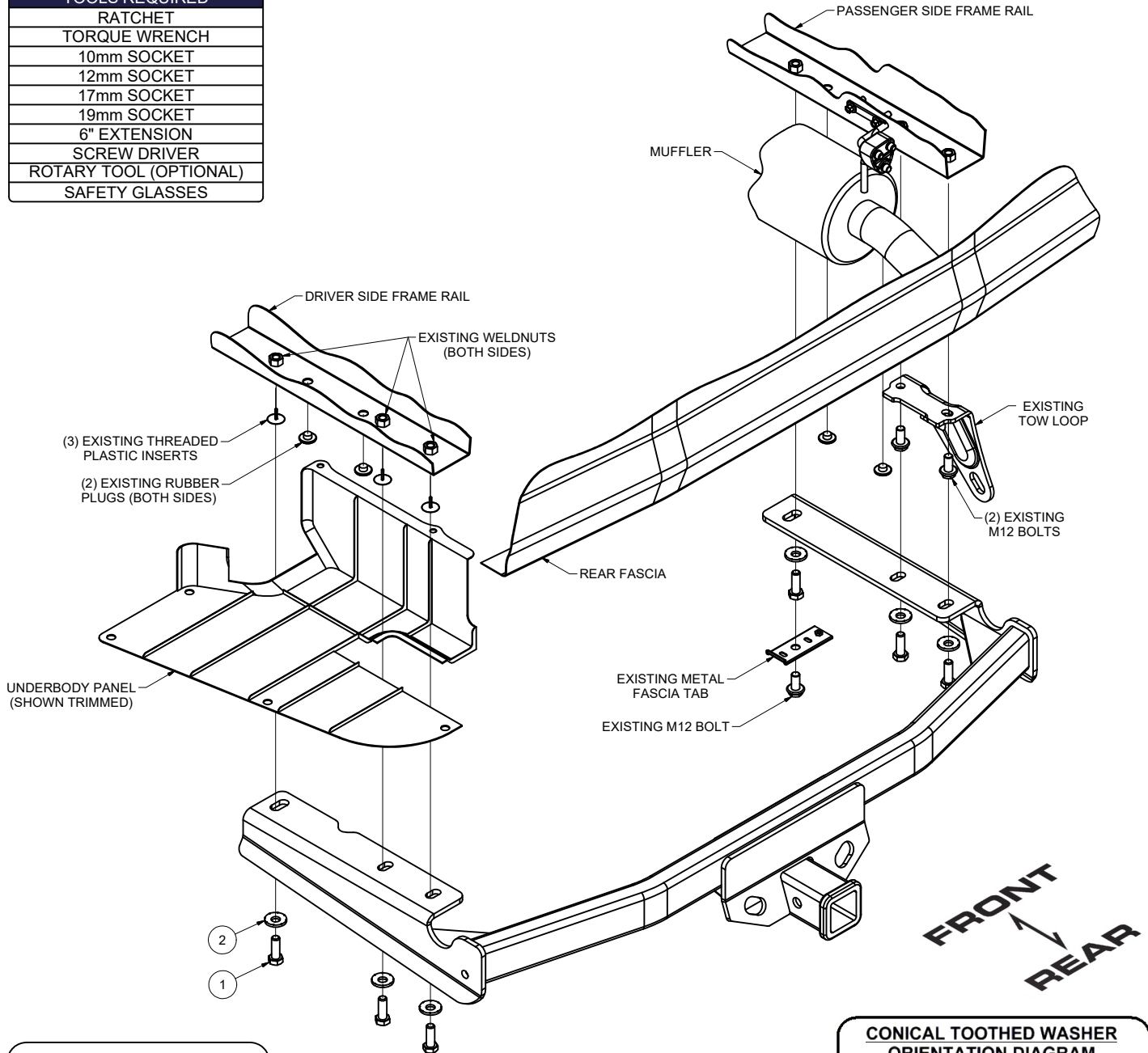
3/4/2020

GROSS LOAD CAPACITY WHEN USED AS A WEIGHT CARRYING HITCH: 5,000 LBS. TRAILER WEIGHT & 500 LBS. TONGUE WEIGHT.

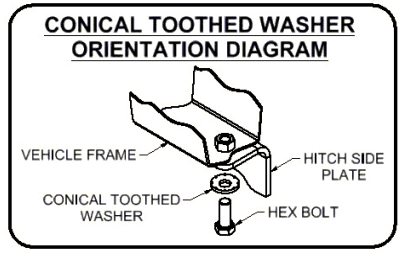
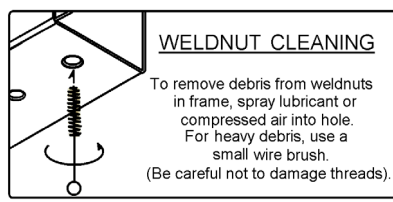
WARNING: * DO NOT EXCEED VEHICLE MANUFACTURER'S RECOMMENDED TOWING CAPACITY *****

Parts List			
ITEM	QTY	PART NUMBER	DESCRIPTION
1	6	10-10275	HHCS,M12x1.25,35,CL10.9,YZ
2	6	30-00149	WASHER, S-CON,1/2,YZ

TOOLS REQUIRED
RATCHET
TORQUE WRENCH
10mm SOCKET
12mm SOCKET
17mm SOCKET
19mm SOCKET
6" EXTENSION
SCREW DRIVER
ROTARY TOOL (OPTIONAL)
SAFETY GLASSES

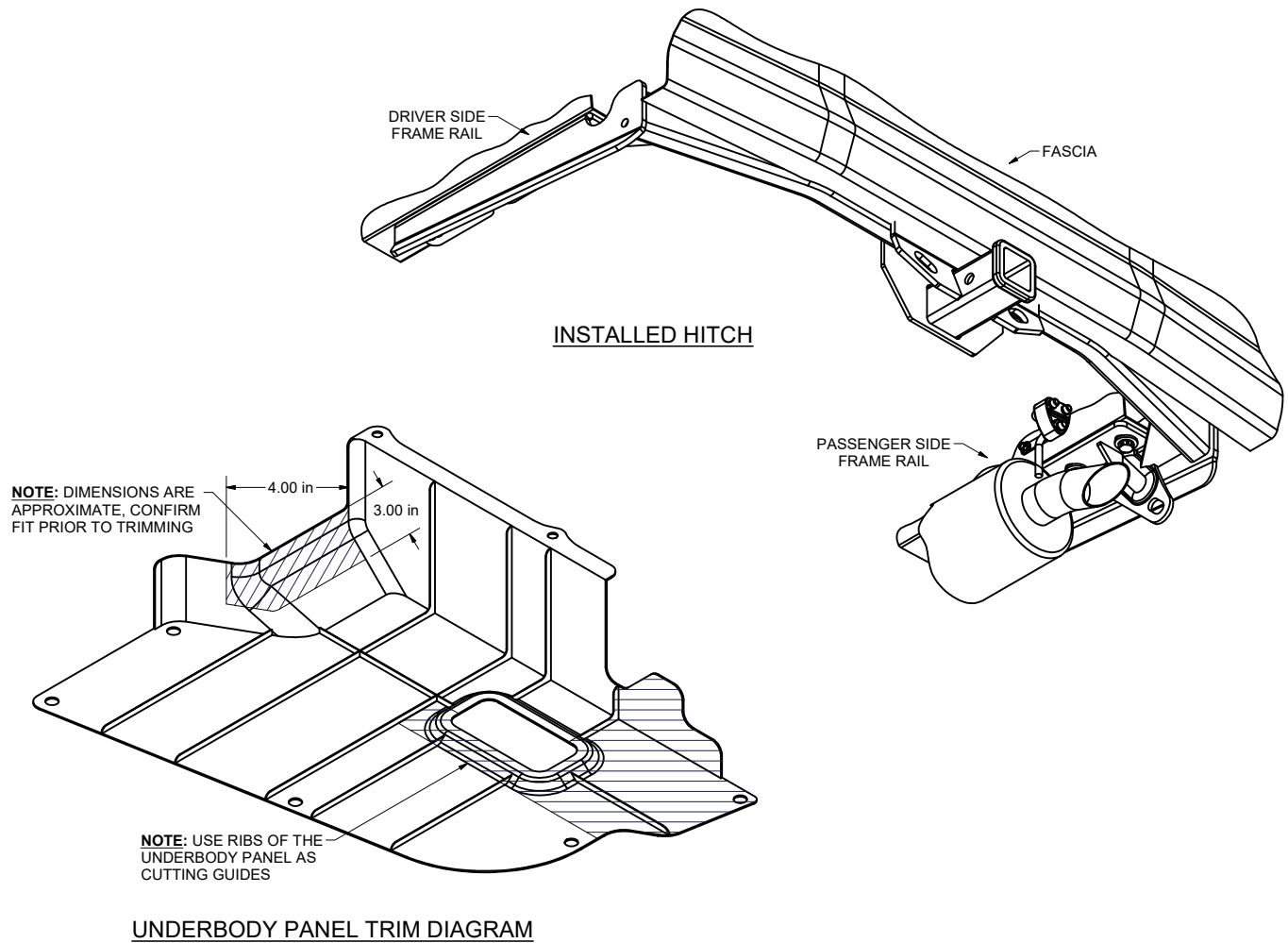


HITCH WEIGHT: 52 LBS.
INSTALL TIME
 PROFESSIONAL: 30 MINUTES
 NOVICE (DIY): 60 MINUTES
INSTALL NOTES:
 -NO DRILLING
 -PART REMOVAL
 -TRIM OR REMOVE UNDERBODY PANEL



PERIODICALLY CHECK THIS RECEIVER HITCH TO ENSURE THAT ALL FASTENERS ARE TIGHT AND THAT ALL STRUCTURAL COMPONENTS ARE SOUND.

ENTHUZE™ warrants this product to be free of defects in material and/or workmanship at the time of retail purchase by the original purchaser. If the product is found to be defective, ENTHUZE™ may repair or replace the product, at their option, when the product is returned, prepaid, with proof of purchase. Alteration to, misuse of, or improper installation of this product voids the warranty. ENTHUZE™ liability is limited to repair or replacement of products found to be defective, and specifically excludes liability for incidental or consequential loss or damage.



INSTALLATION STEPS

1. Remove the (7) fasteners securing the driver side underbody panel. After lowering the underbody panel return it to the owner or trim and reinstall in Step (5). Remove (1) fastener from each outermost bumper support tabs and bend down.
2. Remove the (2) rubber plugs from each of the frame rails. Unscrew the (3) threaded plastic inserts from the driver side frame rail and (2) from the passenger side frame rail. Return plugs and inserts to owner.
3. Remove the M12 bolt securing the metal fascia tab to the passenger side frame rail. Return the fascia tab, tow loop, and fasteners to owner.
4. Raise the hitch over the exhaust then the fascia exhaust air deflector and align the holes in the hitch with the weldnuts in the frame. Secure the hitch to the frame using the supplied M12-1.25 hex bolts and 1/2" conical toothed washers. Torque all 12mm hardware to 86 ft-lbs. Reinstall the bumper fascia tabs removed in Step 1.
5. Mark and trim underbody panel. Reattach underbody panel using fasteners removed in Step (1).
Note: See underbody panel trim diagram. Dimensions are approximate, confirm fit prior to trimming. Use ribs of the underbody panel as cutting guides.

PERIODICALLY CHECK THIS RECEIVER HITCH TO ENSURE THAT ALL FASTENERS ARE TIGHT AND THAT ALL STRUCTURAL COMPONENTS ARE SOUND.

ENTHUZE™ warrants this product to be free of defects in material and/or workmanship at the time of retail purchase by the original purchaser. If the product is found to be defective, ENTHUZE™ may repair or replace the product, at their option, when the product is returned, prepaid, with proof of purchase. Alteration to, misuse of, or improper installation of this product voids the warranty. ENTHUZE™ liability is limited to repair or replacement of products found to be defective, and specifically excludes liability for incidental or consequential loss or damage.