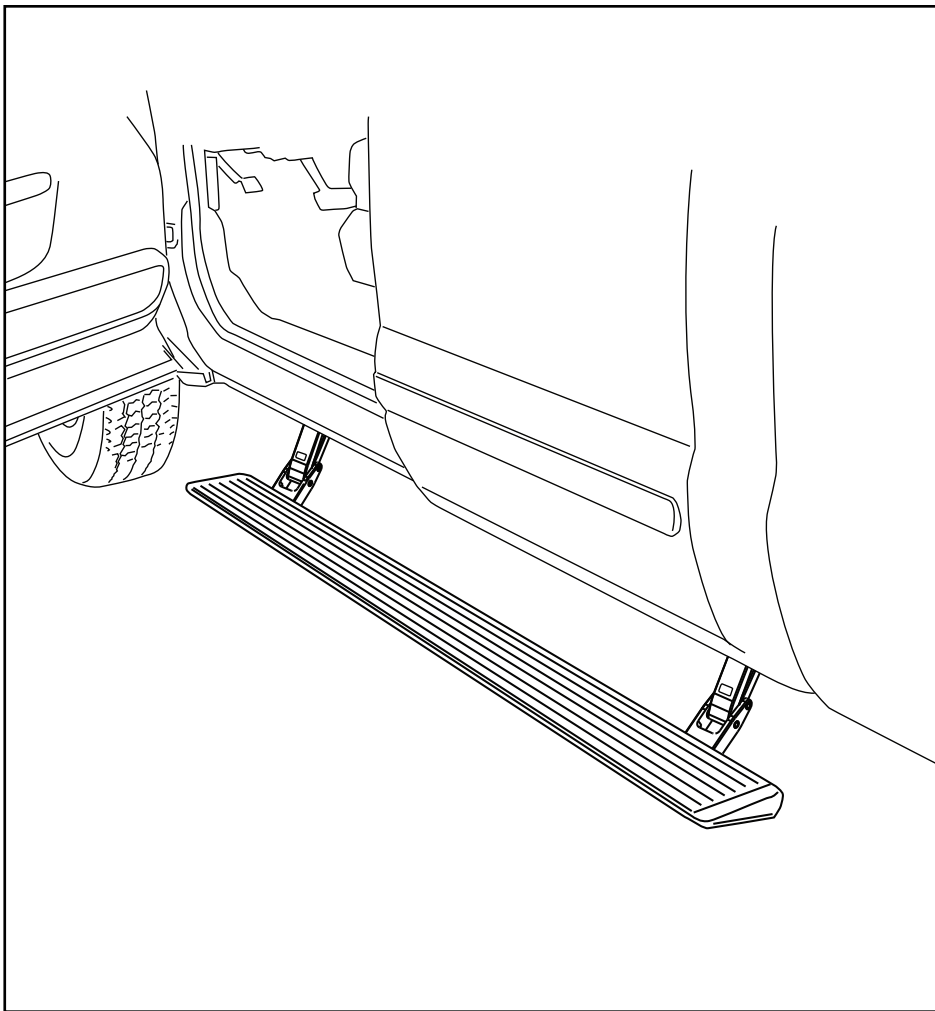


INSTALLATION GUIDE

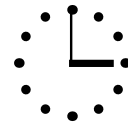
AMP RESEARCH Power Step

MADE IN USA

APPLICATION	LENGTH	MODEL YR	PART #
Ford F150 SuperCab	72"	2009 - up	75141-01A
Ford F150 SuperCrew	79"	2009 - up	75141-01A



INSTALLATION TIME



3:00 hrs

SKILL LEVEL



4= Experienced

TOOLS REQUIRED

- Safety goggles
- 8 mm socket
- 10 mm socket
- 13 mm socket
- 13 mm end wrench
- Ratchet wrench and extension
- Wire stripper
- 3/16" hex key wrench (allen wrench)
- 4mm hex key wrench (allen wrench)
- Electrical tape
- Weather proof caulking (silicone sealer)

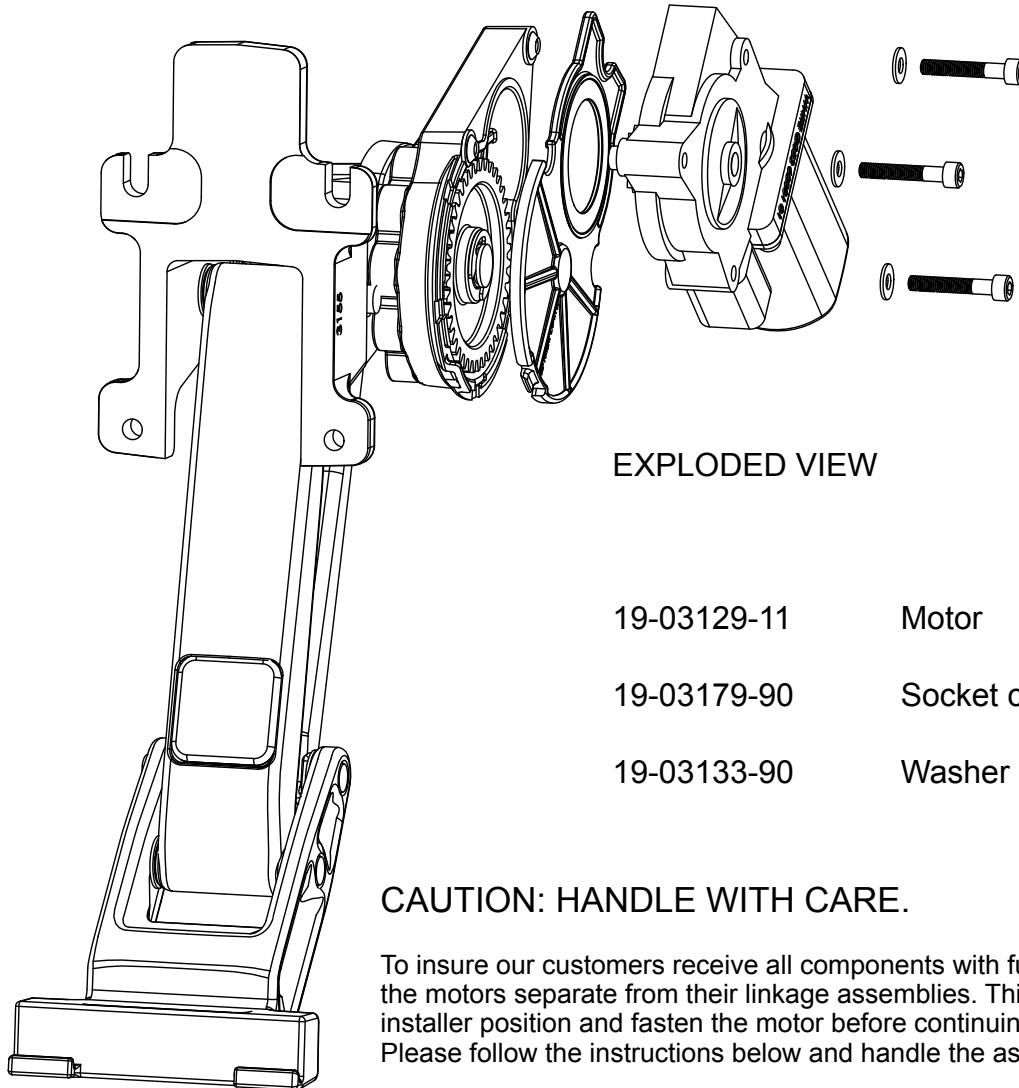
AMP RESEARCH TECH SUPPORT 1-888-983-2204 (Press 2) Monday - Friday, 6:00 AM - 5:00 PM PST

Designed and manufactured by AMP Research®. Patent Number 6,830,257; 6,641,158; 6,834,875; 6,938,909; 6,942,233; 7,007,961; 7,055,839; 7,163,221; 7,367,574; 7,380,807; 7,398,985; 7,413,204; 7,487,986. Other US and Worldwide patents pending. Made in USA © 2010 AMP Research
5-year limited warranty. Professional installation is recommended.

INSTALLATION GUIDE

Attaching motor to linkage assembly

The motors must be attached to the linkage assemblies before continuing the installation process.



EXPLODED VIEW

19-03129-11	Motor
19-03179-90	Socket cap screw
19-03133-90	Washer

CAUTION: HANDLE WITH CARE.

To insure our customers receive all components with full integrity, we pack the motors separate from their linkage assemblies. This requires that the installer position and fasten the motor before continuing with the install. Please follow the instructions below and handle the assembly carefully.

CAUTION: Dropping the assembly or any excessive impact MAY cause damage to the motor.

Instructions:

1. Position the gear cover in place as shown if not already in place.
2. Seat motor into position on the three mounting bosses. This may require an adjustment of the gear by moving the swing arms.
3. After seating into place, fasten the motor with the three motor mount screws with T30 Torx. Tighten screws to 80 in-lbs (9N-m). Do not over torque.

AMP RESEARCH POWER STEP – FORD F150

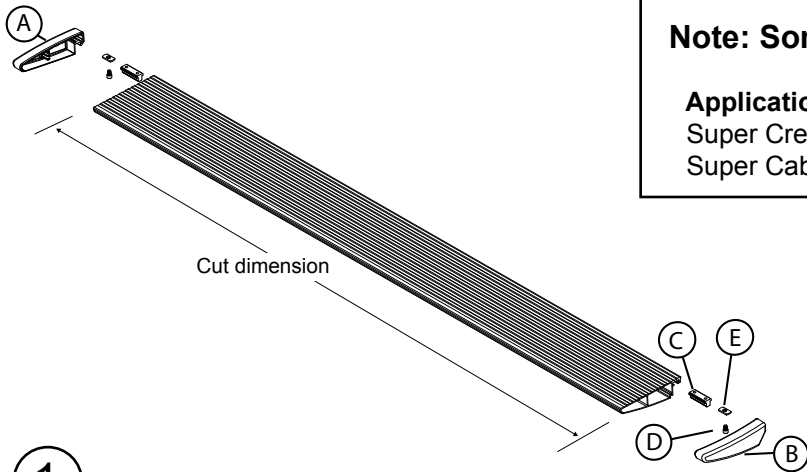
Note: Some Applications require modification.

Application

Super Crew
Super Cab

Cut Length

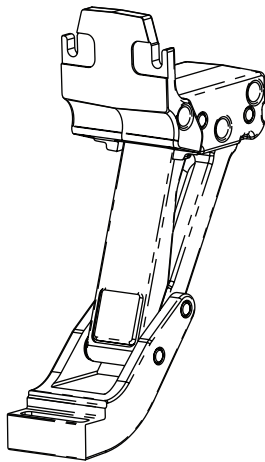
79" (No Modification Required)
72" (Trim 7")



1 x2

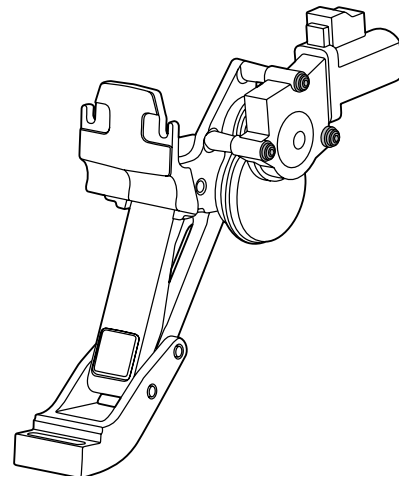
20-03314-XX
Running board assembly

- (A) 19-03225-11 End cap left (x1)
- (B) 19-03225-12 End cap right (x1)
- (C) 19-02663-90 T-nut insert (x2)
- (D) 19-03236-90 Socket cap screw (x2)
- (E) 19-03237-90 Nut plate (x2)



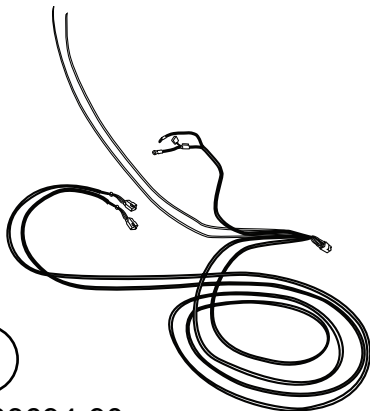
2 x2

10-03007-11
Idler linkage assembly



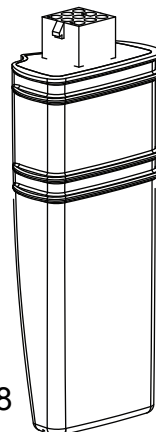
3 x2

10-03006-11
Motor linkage assembly



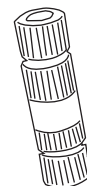
4

19-03694-90
Wire harness



5

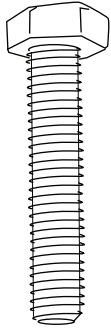
19-03297-98
Controller



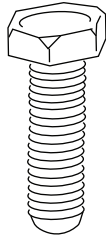
6 x4

19-03354-90
Posi-Tap™ (Red/Grey)

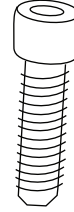
PARTS LIST AND
HARDWARE
IDENTIFICATION



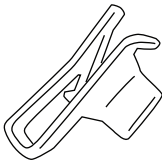
7 x8
19-02487-90
Hex bolt



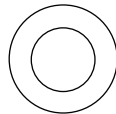
8 x 8
19-02849-90
Hex Bolt



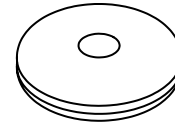
9 x8
19-02802-90
Socket cap screw



11 x8
19-02488-90
U-nut



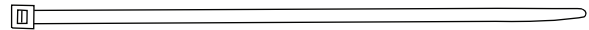
12 x16
16-03014-90
Washer Black



13
19-03699-90
Grommet



14 x25
19-02805-90
Cable Ties 7"

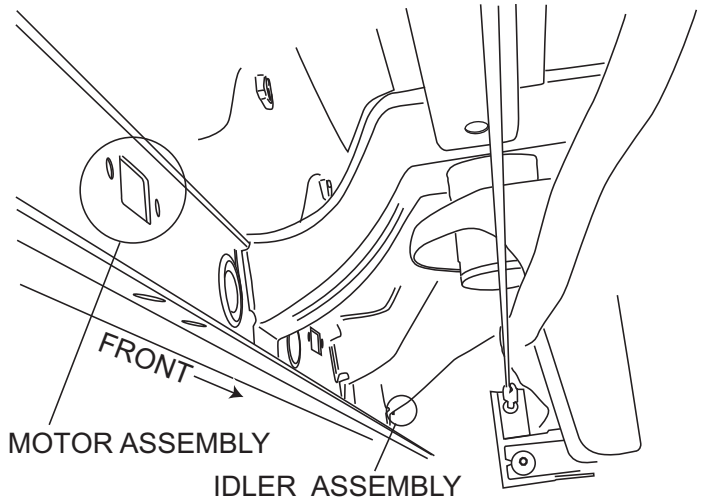


15 x2
19-03339-90
Cable Ties 11"

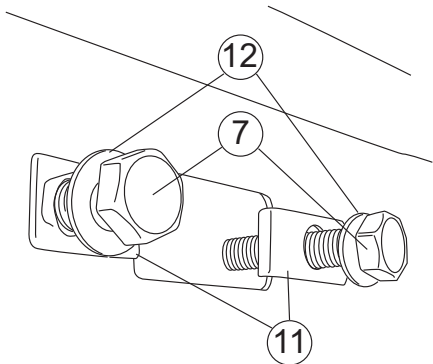
Locate mounting points; first and last set of holes on the inner sill.

Motor Linkage mounts toward the rear of the truck, with the exception of the passenger side on SuperCab trucks. Mount the motor linkage in front on the passenger side of SuperCab trucks.

1

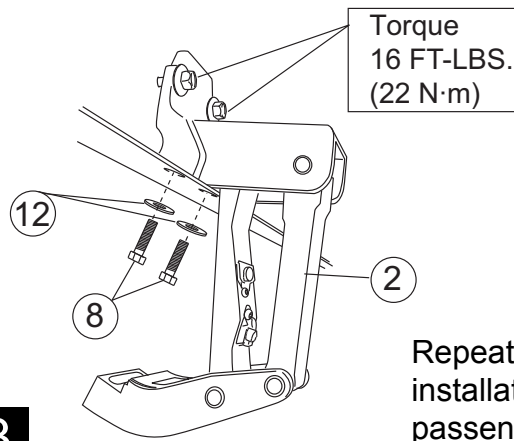


Install J-clips and start bolts with washers installed.



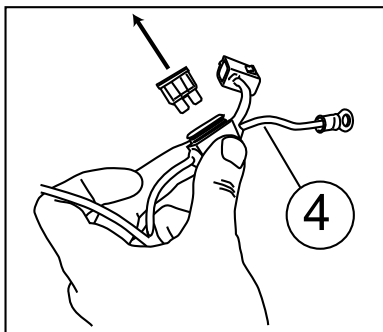
2

Mount idler assembly and motor assembly. Note: Filing of sheet metal edge may be required if the sheet metal holes are misaligned.



3

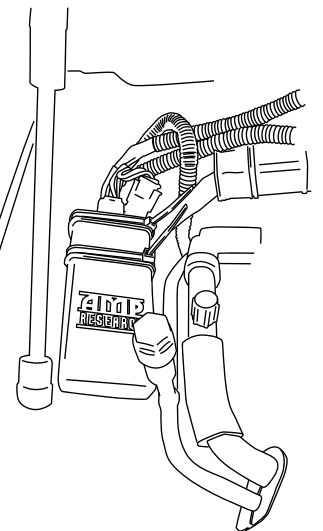
Repeat linkage installation on passenger side



Remove fuse from wire harness

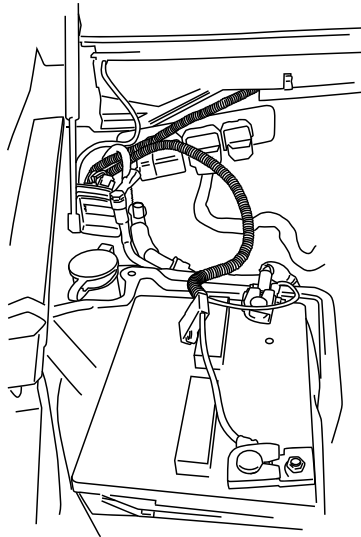
4

Attach wire harness to controller (make sure connector locking tabs fully engage). Mount controller with the two 11" tie wraps to factory conduit.



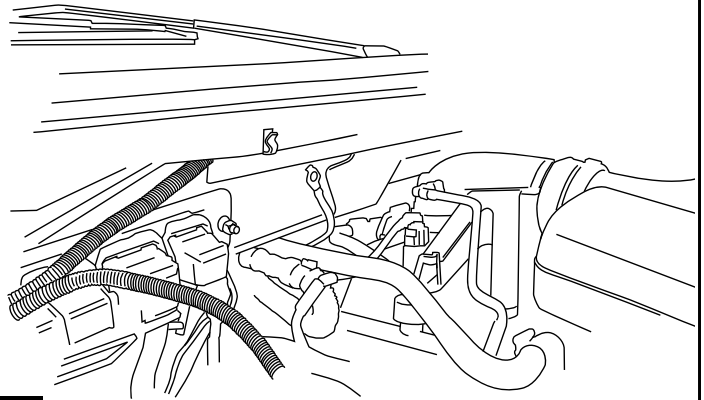
5

Connect red and black power leads to battery. Red lead goes to positive. Route shorter leg of harness down passenger-side wheel well.



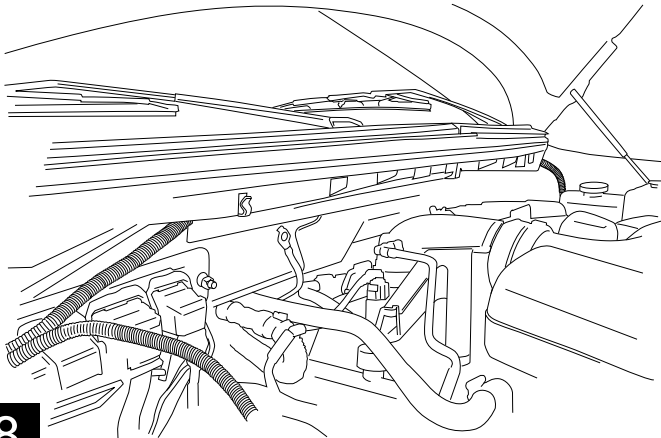
6

Route longer wire harness leg across firewall through plastic cowling to driver side.



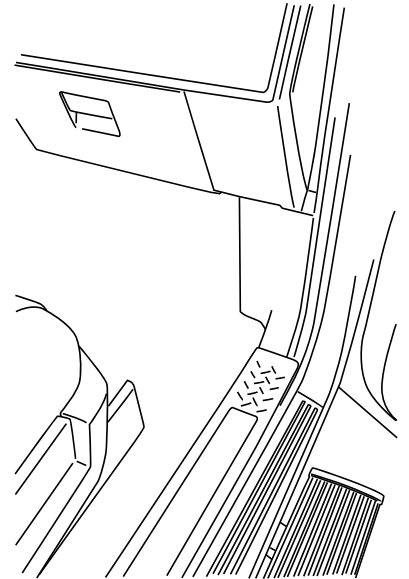
7

Route longer leg of harness down along driver-side wheel well and along frame of vehicle. Secure with tie wraps.



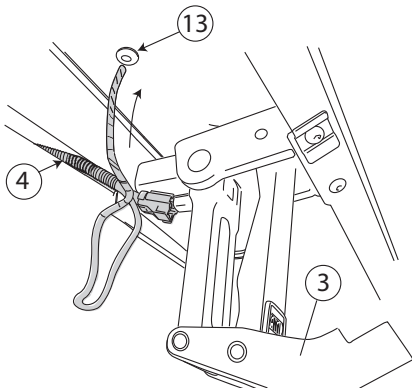
8

Remove passenger side front kick panel and door sill plate. Roll back carpet to access hole for grommet installation.



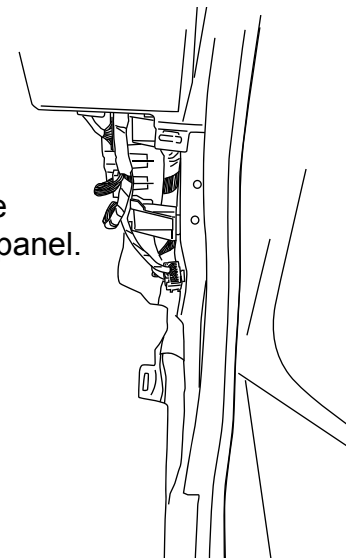
9

Remove tape from 3/4" hole in floor panel above front linkage on passenger side and insert grommet. Thread all four trigger wires through grommet up into the cabin of vehicle. Seal grommet with silicone sealer.



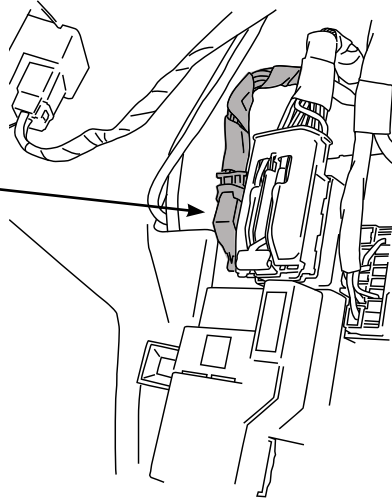
10

Wiring connections are located under the passenger side kick panel.



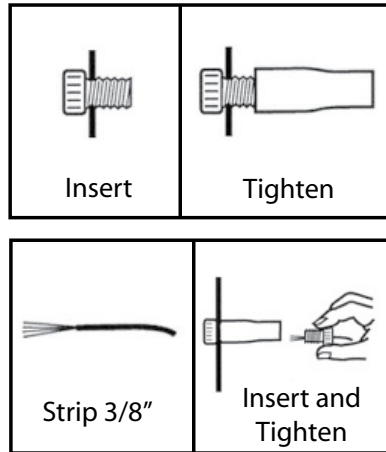
11

Locate this connector and unplug for improved access during wire connection



12

Posi-Tap instructions



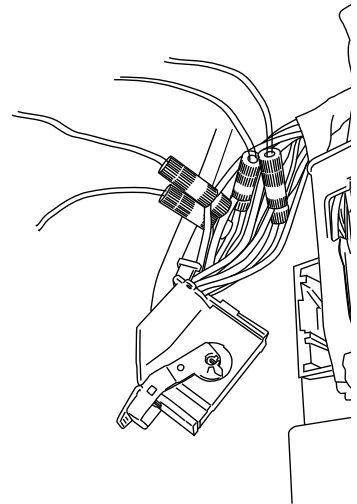
13

Using supplied Posi-Tap connectors, connect Power Step trigger wires to like colored wires in factory wire harness as shown in step 15.

SuperCrew	SuperCab	Regular Cab
Green/Violet	Green/Violet	Green/Violet
Green	White	White
Yellow		
White		

For SuperCab and Regular Cab connect the two extra trigger wires to the same wires listed above, Green connects to Green/Violet and Yellow connects to White.

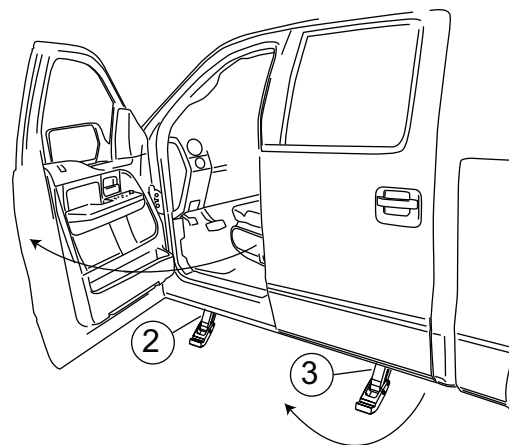
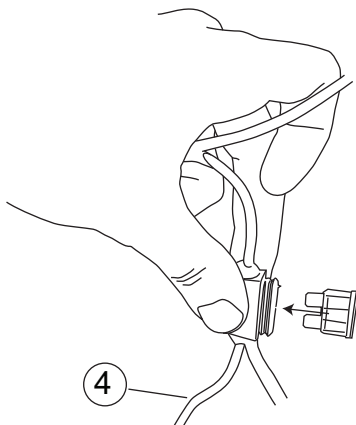
Make certain each Posi-Tap is making positive contact with the copper wire inside the insulation. Re-connect factory wire harness from step 12.



14

15

Replace fuse.

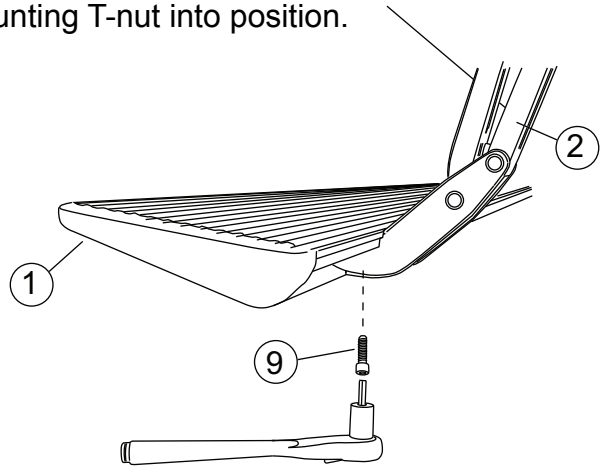


Open doors to extend drive linkage assembly (if not already extended).

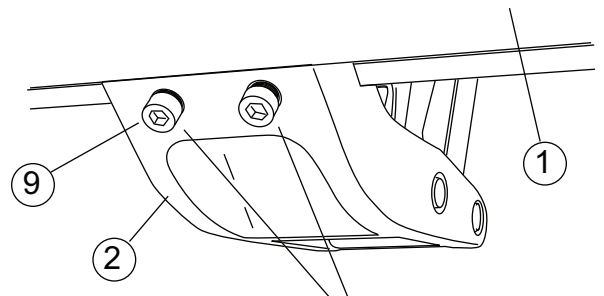
16

17

Attach step, sliding the mounting T-nut into position.



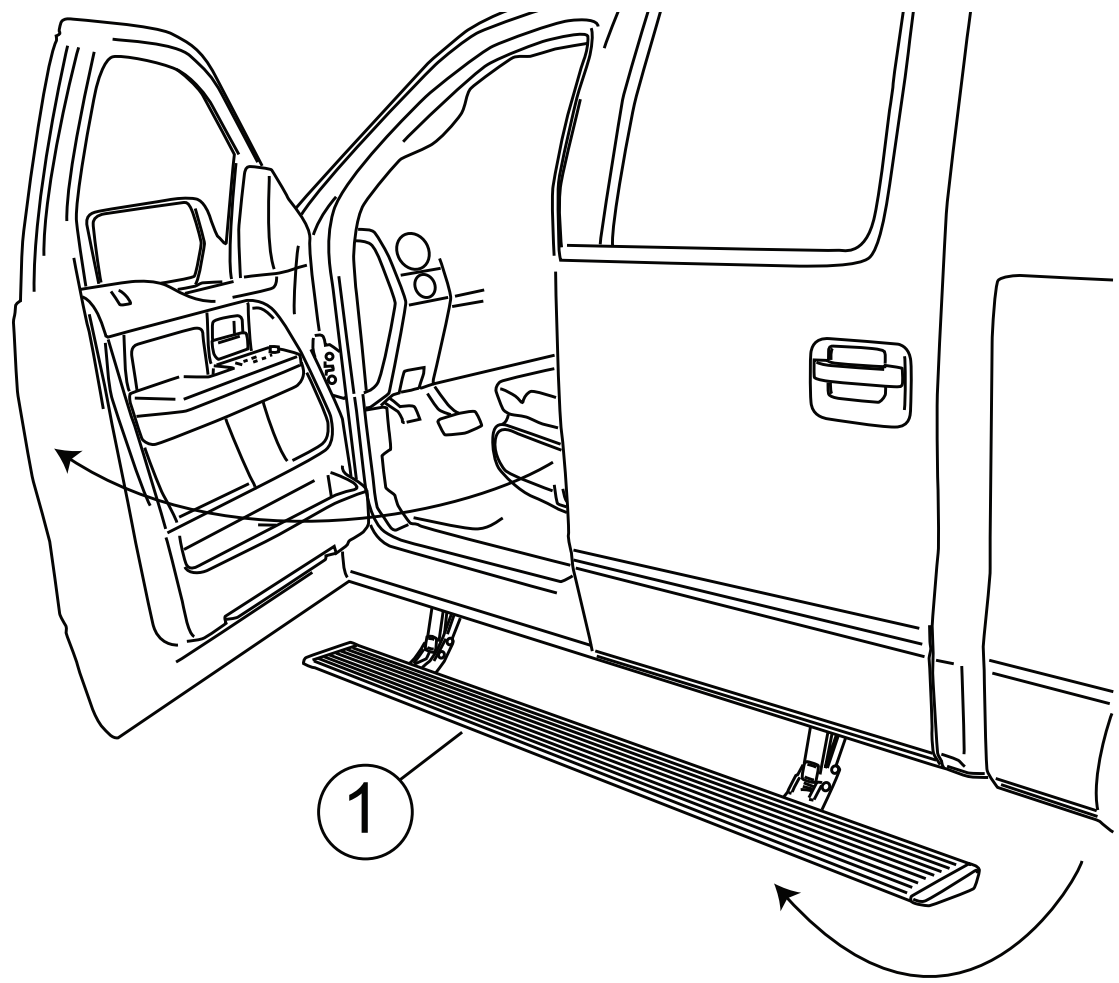
18



Torque
10 ft-lbs.
(13.5 Nm)

19

Open doors to test.



20

Congratulations on the purchase of your AMP Research Power Step



Here's what you should know...

OPERATION

The AMP Research Power Step automatically deploys when at least one door opens and automatically retracts under your vehicle when both front and rear doors close. If resistance or blockage is encountered while the Power Step is in motion, the drive system is designed to automatically stop. To reset, simply open or close the vehicle door and the Power Step will resume normal operation.

MAINTENANCE TIPS

The stepping surface and drive mechanism can be wash with mild soap and water using a soft brush or sponge to dislodge any mud, dirt or accumulated road grime. Rinse with fresh water.

To prevent slipping, avoid applying waxes, lubricants or protectants like Armor All® to the step surface.

When washing your vehicle, the Power Steps can be set to remain deployed with the doors closed for easy cleaning. Do this...

- 1** With the Power Step deployed, press and hold the board down with your foot.
- 2** Close the door while continuing to press down the board. (This will not harm motor.)
- 3** To reset the Power Step, simply open and close the door. (Repeat for both sides of vehicle.)

CAUTION! BE SURE TO KEEP HANDS AWAY WHEN THE POWER STEP IS IN MOTION.

amp-research.com

LIMITED WARRANTY

AMP RESEARCH warrants product to be free from defects in material and workmanship, for terms specified below, provided there has been normal use and proper maintenance. All remedies under this warranty are limited to the repair or replacement of any item found by the factory to be defective within the time period specified.

If you have a warranty claim, first you must call our factory at the number below for instructions. You must retain proof of purchase and submit a copy with any items returned for warranty work. Upon completion of warranty work, if any, we will return the repaired or replaced item or items to you freight prepaid. Damage to our products caused by accidents, fire, vandalism, negligence, misinstallation, misuse, Acts of God, or by defective parts not manufactured by us, is not covered under this warranty.

THE WARRANTY TIME PERIOD IS AS FOLLOWS: 5-YEARS FROM DATE OF PURCHASE.

ANY IMPLIED WARRANTIES OF MERCHANTABILITY AND/OR FITNESS FOR A PARTICULAR PURPOSE CREATED HEREBY ARE LIMITED IN DURATION TO THE SAME DURATION AND SCOPE AS THE EXPRESS WRITTEN WARRANTY. OUR COMPANY SHALL NOT BE LIABLE FOR ANY INCIDENTAL OR CONSEQUENTIAL DAMAGE.

Some states do not allow limitations on how long an implied warranty lasts, or the exclusion or limitation of incidental or consequential damages, so the above limitations or exclusions may not apply to you. This warranty gives you specific legal rights, and you may also have other rights that vary from state to state.

WARNING

Be sure to read and precisely follow the provided instructions when installing this product. Failure to do so could place the vehicle occupants in a potentially dangerous situation. After installing or reinstalling, re-check to insure that the product is